

# Jameson®

## JTW-50

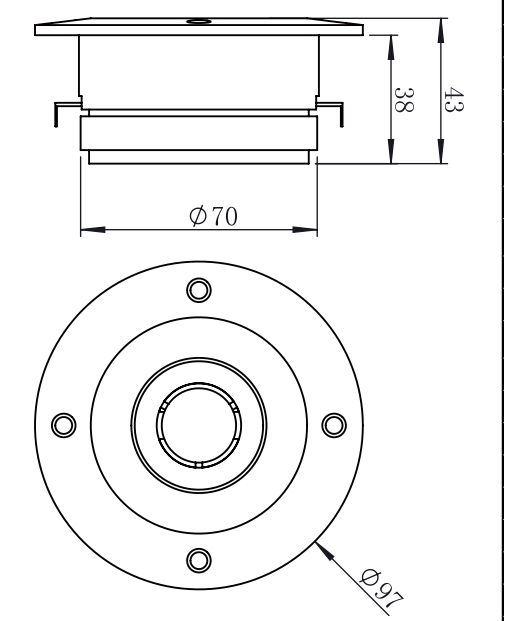
### Owner's Manual

**JTW-50**  
**Ferrite Magnet Aluminum Dome**  
**Ø 1 Inch Voice Coil 4Ω**

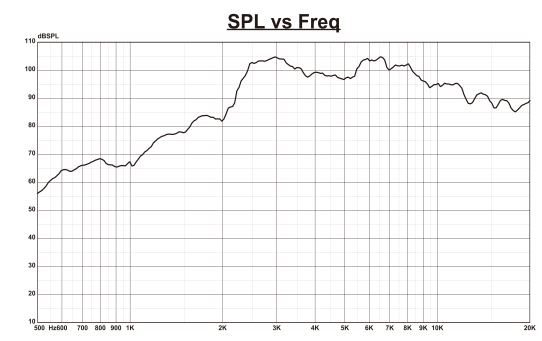
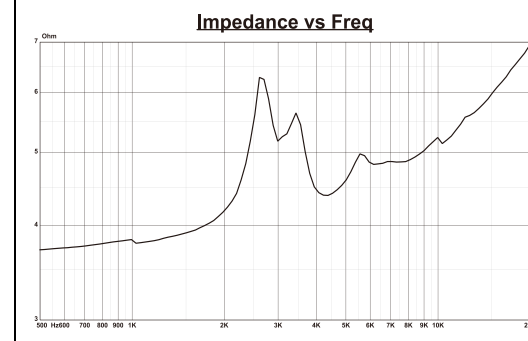
**Jameson®**

#### SPECIFICATIONS

General Data		Unit	Dimensions
Overall Dimensions	97*43	mm	
Rated power RMS	100	W	
MAX Power	200	W	
Sensitivity	101	dB	
Frequency Response	2.5K-20K	Hz	
Cone Material	Aluminum		
Net Weight	0.48	kg	
Electrical Data			
Nominal Impedance	4	Ohm	
DC Resistance	3.3	Ohm	
Voice Coil and Magnet Parameters			
Voice Coil Diameter	25.5	mm	
Voice Coil Height	2.3	mm	
HE Magnetic Gap Height	3	mm	
Max.Linear Excursion		mm	
Voice Coil bobbin	Kapton		
Voice Coil Wire	CCA W		
Number Of Layers	2	layers	
Magnet System Type	High Flux Ferrite		
T-S Parameters			
Resonant Frequency	Fs	2.5K	Hz



FOR REFERENCE ONLY



148\*210

148\*210